



**SHAPING  
GREAT  
EXPERIENCES**



# MORE THAN 325 YEARS OF INNOVATION



**1689**  
Weapons factory



**1872**  
Sewing machines



**1896**  
Bicycles



**1874**  
Kitchen equipment



**1903**  
Motorcycles



**1919**  
Lawn mowers



**1959**  
Chainsaws



**1974**  
Battery grass shears



**1987**  
Riders



**1995**  
Robotic lawn mower



**2009**  
Remote controlled  
demolition robots



**2012**  
Battery products with  
petrol performance



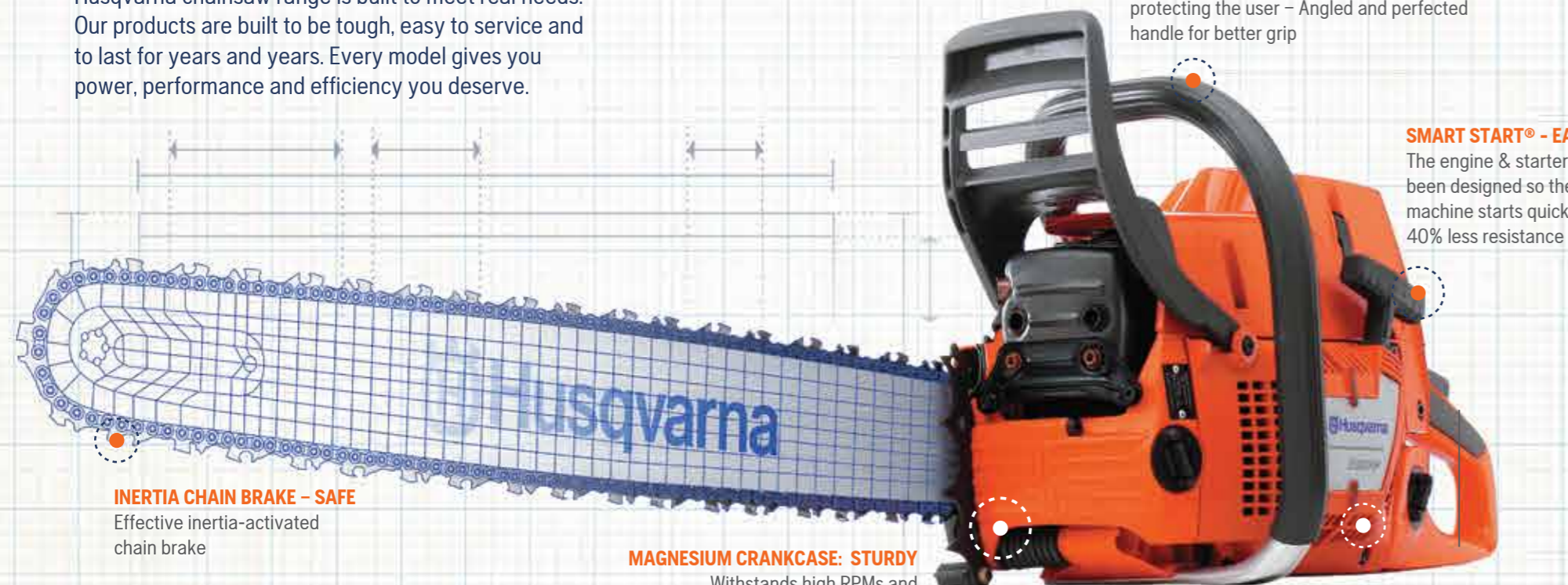
**2013**  
All-wheel-drive  
mower

1689  2014

325

# CHAINSAW

Husqvarna chainsaw range is built to meet real needs. Our products are built to be tough, easy to service and to last for years and years. Every model gives you power, performance and efficiency you deserve.



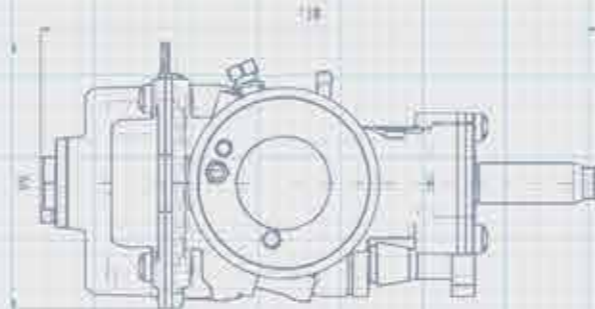
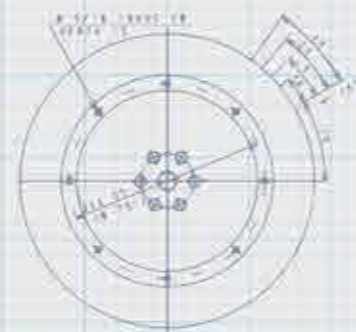
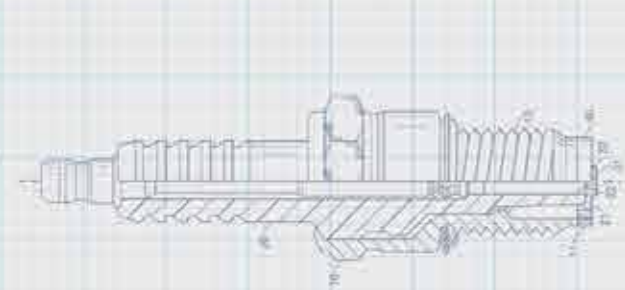
**INERTIA CHAIN BRAKE - SAFE**  
Effective inertia-activated chain brake

**MAGNESIUM CRANKCASE: STURDY**  
Withstands high RPMs and tough professional use, ensuring a long service life.

**LOWVIB® - PROTECT USER'S HANDS**  
Anti-vibration dampeners absorb vibration, protecting the user - Angled and perfected handle for better grip

**SMART START® - EASY START**  
The engine & starter have been designed so the machine starts quickly with 40% less resistance

**AIR INJECTION: LOW DOWN TIME**  
Centrifugal air cleaning system for reduced wear and longer operating time



## 3120XP®

Cylinder displacement 118.8 cm<sup>3</sup>  
Power output 6.2 kW/8.3 hp  
Weight excl. cutting equipment 10.4 kg



## 390XP®

Cylinder displacement 88 cm<sup>3</sup>  
Power output 4.8 kW/6.4 hp  
Weight excl. cutting equipment 7.1 kg



## 372XP®

Cylinder displacement 70.7 cm<sup>3</sup>  
Power output 3.9 kW/5.2 hp  
Weight excl. cutting equipment 6.1 kg



## 281XP

Cylinder displacement 80.7 cm<sup>3</sup>  
Power output 4.2 kW/5.6 hp  
Weight excl. cutting equipment 7.6 kg



## 365

Cylinder displacement 65.1 cm<sup>3</sup>  
Power output 3.4 kW/4.6 hp  
Weight excl. cutting equipment 6 kg



## 61

Cylinder displacement 61.5 cm<sup>3</sup>  
Power output 2.9 kW/3.9 hp  
Weight excl. cutting equipment 6.1 kg



## 353

Cylinder displacement 51.7 cm<sup>3</sup>  
Power output 2.4 kW/3.2 hp  
Weight excl. cutting equipment 5 kg



## T435

Cylinder displacement 35.2 cm<sup>3</sup>  
Power output 1.5 kW/2 hp  
Weight excl. cutting equipment 3.4 kg



# BRUSH CUTTER

Powerful and impressively lightweight, extremely durable yet easy and comfortable to use. There you have our brushcutters in a nutshell. All machines are designed for long, demanding shifts of clearing high and thick grass, heavy brushwood – and even smaller trees.

## SMART START® - EASY START

The engine & starter have been designed so the machine starts quickly with 40% less resistance

## EFFICIENT AIR FILTER – PERFECTED FOR INDIAN CONDITIONS

The efficient air filter provide less cost for service and less engine wear. Easily accessible for cleaning

## BALANCE X – PROTECT USER'S BACK

Ergonomic harness with broad back support, shoulder straps & hip belt that reduces fatigue

## LOWVIB® - PROTECT USER'S HANDS

Anti-vibration dampeners absorb vibration, protecting the user

## GEARS : BEST CUTTING PERFORMANCE

Bevel gear designed with high torque and excellent cut



### 153R

Cylinder displacement 50.2 cm<sup>3</sup>  
Power output 1.6 kW/2.2 hp  
Weight excl. cutting equipment 7.6 kg



### 345FR

Cylinder displacement 45.7 cm<sup>3</sup>  
Power output 2.1 kW/2.8 hp  
Weight excl. cutting equipment 8.5 kg



### 143R - II

Cylinder displacement 41.5 cm<sup>3</sup>  
Power output 1.5 kW/2 hp  
Weight excl. cutting equipment 7.6 kg



### 236R

Cylinder displacement 33.6 cm<sup>3</sup>  
Power output 1.2 kW/1.6 hp  
Weight excl. cutting equipment 7.2 kg



### 525RS

Cylinder displacement 25.4 cm<sup>3</sup>  
Power output 1 kW/1.3 hp  
Weight excl. cutting equipment 5 kg



### 542RBS

Cylinder displacement 41.5 cm<sup>3</sup>  
Power output 1.5 kW/2 hp  
Weight excl. cutting equipment 9 kg



### 532RBS

Cylinder displacement 33.6 cm<sup>3</sup>  
Power output 1.1 kW/1.5 hp  
Weight excl. cutting equipment 8.9 kg

# TRIMMER

## Trimmer attachments



### 525LK

Cylinder displacement 25.4 cm<sup>3</sup>  
Power output 1 kW/1.3 hp  
Weight excl. cutting equipment 4.5 kg



Trimmer attachment



Pole saw attachment PA1100



Hedge trimmer attachment



Bristle brush attachment BR600



Cultivator attachment

# BLOWER

Husqvarna's versatile backpack blowers are powerful machines that offer the user, total control. They are ideal for tackling large areas and long periods of work. Our handheld blowers combine high power with great balance, making them perfect for a variety of light and tough tasks.

## X-TORQ® ENGINE MOST EFFICIENT

Cuts harmful exhaust emissions by up to 75% & increases fuel efficiency by up to 20%.

## VENTILATED BACK / HIP BELT

Ergonomic design for less strain

## CRUISE CONTROL

Fan speed can be set for easier handling.

**HIGH BLOWING CAPACITY**  
Increased productivity.



## 570BTS

Cylinder displacement 65.6 cm<sup>3</sup>  
Power output 2.9 kW/3.9 hp  
Weight excl. cutting equipment 11.2 kg



## 350BT

Cylinder displacement 50.2 cm<sup>3</sup>  
Power output 1.6 kW/2.2 hp  
Weight excl. cutting equipment 10.2 kg



## 525BX

Cylinder displacement 25.4 cm<sup>3</sup>  
Power output 0.9 kW/1.1 hp  
Weight excl. cutting equipment 4.3 kg

# HEDGE TRIMMER

Trimming with first class results is the Husqvarna promise. We offer versatile and robust hedge trimmers with powerful engines. The X-Torq engine delivers maximum power while reducing fuel consumption enabling you to work with top performance during longer shifts.

## SHARP TEETH

Sharp and robust cutting teeth for high productivity & long life.

## HEAVY DUTY GEARS – LONG LIFE

Have been developed for long life under tough conditions.

## X-TORQ® ENGINE MOST EFFICIENT

Cuts harmful exhaust emissions by up to 75% & increases fuel efficiency by up to 20%.



## 226HS75S

Cylinder displacement 23.6 cm<sup>3</sup>  
Power output 0.9 kW/1.1 hp  
Weight excl. cutting equipment 5.7 kg



## 226HD60S

Cylinder displacement 23.6 cm<sup>3</sup>  
Power output 0.9 kW/1.1 hp  
Weight excl. cutting equipment 5.8 kg



## 122HD45

Cylinder displacement 21.7 cm<sup>3</sup>  
Power output 0.6 kW/0.8 hp  
Weight excl. cutting equipment 4.7 kg

# TILLER

The reliable and powerful technology used on our tillers and cultivator provide excellent lubrication and cooling as well as low emissions under extreme loads. Powerful engines combine with the robust and reliable design to ensure long service life and consistent first-in-class performance.

## PERFECTED FOR INDIAN CONDITIONS

High performance Husqvarna engines and wide range accessories



### TF544

Cylinder displacement 418 cm<sup>3</sup>  
 Net power at present rpm 6.6 kW/8.9 hp  
 Working width 110 cm



### TF230

Cylinder displacement 196 cm<sup>3</sup>  
 Net power at present rpm 3.5 kW/4.6 hp  
 Working width 75 cm

## ATTACHMENTS



RIDGER

DEEP HOE KIT

ANTIWIND BLADE KIT

WHEEL KIT

METAL WHEEL KIT

POTATO PLOUGH

DITCHING BLADE

PADDY WHEEL KIT

PLOUGH

# UPCOMING PRODUCTS



AUTOMOWER



MISTER-DUSTER



TILLER - 545D



TRACTOR



LAWN MOWER



ZERO-TURN MOWERS

# PERSONAL PROTECTIVE EQUIPMENT



The protection of the most vulnerable parts of your body have been subjected to extensive research and technological product development at Husqvarna.

Following our close, long lasting cooperation with professional users, we offer an excellent combination of ergonomically designed equipment.



**Husqvarna<sup>®</sup>**

**Husqvarna (India) Products Private Limited**

First Floor, Swees House, No. 5, Sir P S Sivasamy Salai, Mylapore, Chennai – 600004, Tamil Nadu, India

+91 44 4948 9222 | [support.in@husqvarnagroup.com](mailto:support.in@husqvarnagroup.com) | [www.husqvarna.com/in](http://www.husqvarna.com/in)